

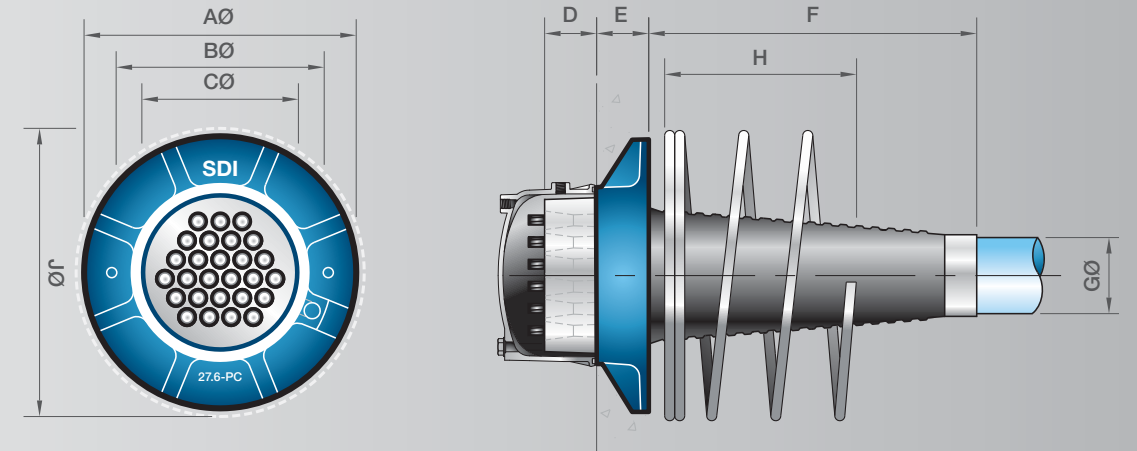
S - SERIES

- Self-Centering Anchorhead
- Approved at 3500 psi concrete strength
- Optimized local zone reinforcing at various concrete strengths

Tendon Type	No. of Strands	Dimensions							f'c = 3500 PSI		f'c = 6500 PSI	
		AØ	BØ	CØ	DØ	EØ	FØ	GØ	HØ	JØ	HØ	JØ
4.6	4 - 0.6"	-	2.75	5.75	2.13	-	-	2.00" ID/2.25" OD	-	-	-	-
12.6	12 - 0.6"	11.50	10.00	7.38	3.38	3.00	14.00	3.00" ID/3.25" OD	13.00	13.00	8.00	13.00
19.6	19 - 0.6"	14.50	11.00	8.38	3.38	3.00	17.50	3.75" ID/4.00" OD	9.00	17.00	9.00	17.00
22.6	22 - 0.6"	15.50	11.00	9.13	4.13	3.00	14.00	4.25" ID/4.50" OD	14.50	19.00	9.00	17.00
27.6	27 - 0.6"	17.00	13.00	9.75	3.25	3.25	16.50	4.50" ID/4.75" OD	12.00	18.00	12.00	18.00
31.6	31 - 0.6"	18.00	14.00	9.75	4.00	3.00	20.50	5.00" ID/5.25" OD	10.25	20.00	10.25	20.00
37.6	37 - 0.6"	20.00	15.00	11.50	4.75	3.00	25.00	5.50" ID/5.75" OD	13.75	22.00	13.75	22.00

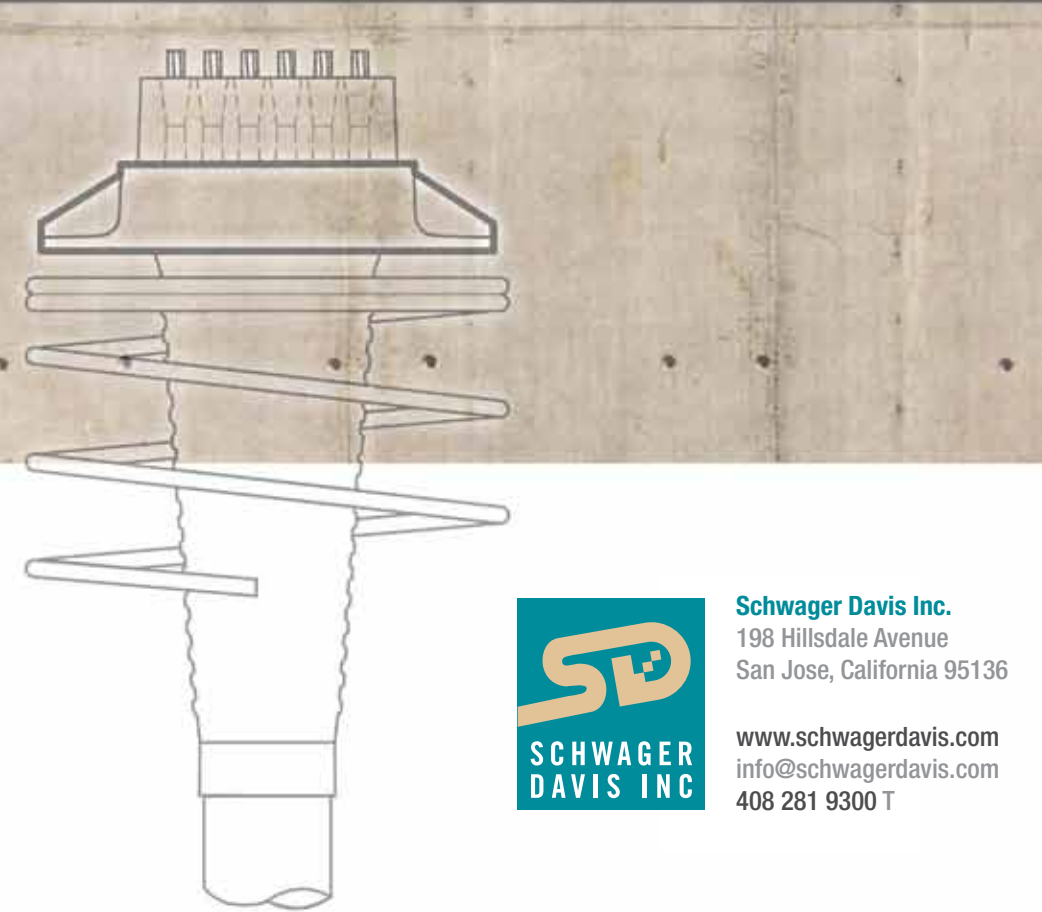
PC - SERIES

- Permanent cap provides ultimate corrosion protection leaving virtually no steel exposed
- Complete post-grouting inspectability
- Self-Centering Anchorhead
- Approved at 3500 psi concrete strength

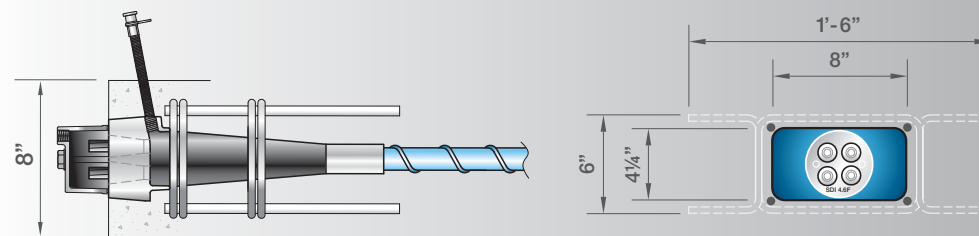


Tendon Type	No. of Strands	Dimensions							HØ	JØ
		AØ	BØ	CØ	DØ	EØ	FØ	GØ		
4.6-PC	4 - 0.6"	-	2.75	5.75	2.13	-	-	2.00" ID/2.25" OD	-	-
4.6F-PC	4 - 0.6"	-	2.75	4x8	2.13	-	-	2.00" ID/2.25" OD	-	-
12.6-PC	12 - 0.6"	11.50	10.00	7.38	3.38	3.00	14.00	3.00" ID/3.25" OD	13.00	13.00
19.6-PC	19 - 0.6"	13.00	11.00	8.38	3.38	3.00	17.50	3.75" ID/4.00" OD	16.25	17.00
27.6-PC	27 - 0.6"	17.00	13.00	9.75	3.25	3.25	16.50	4.50" ID/4.75" OD	12.00	18.00

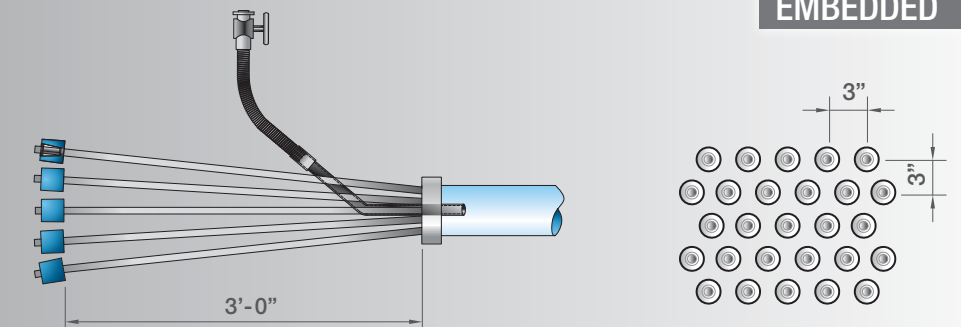
Schwager Davis, Inc. Multistrand Post-Tensioning Systems



FLAT - SERIES



EMBEDDED



Schwager Davis Inc.
198 Hillsdale Avenue
San Jose, California 95136

www.schwagerdavis.com
info@schwagerdavis.com
408 281 9300 T

Anchorage

- anchor set = 0.375 inch
- steel area = 0.217 in²
- e-modulus = 28,500 ksi
- nominal diameter = 0.6 inch
- ultimate strength = 270 ksi
- ultimate load = 58.6 kips/strand

All anchorages have been tested to AASHTO standards and have been certified by Caltrans for pre-approval. Duct diameter and trumpet length may vary based on quality of strand used.